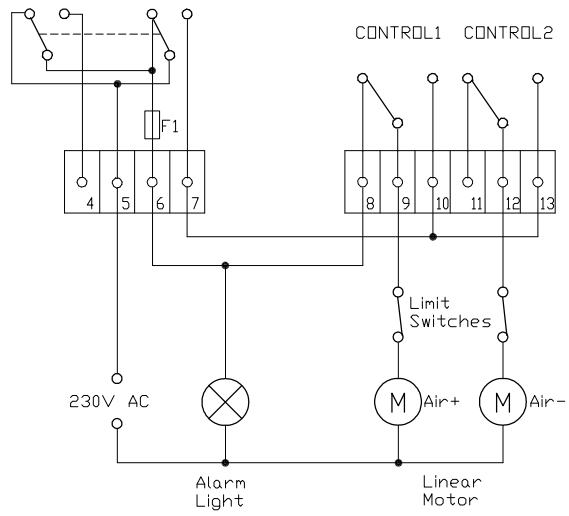


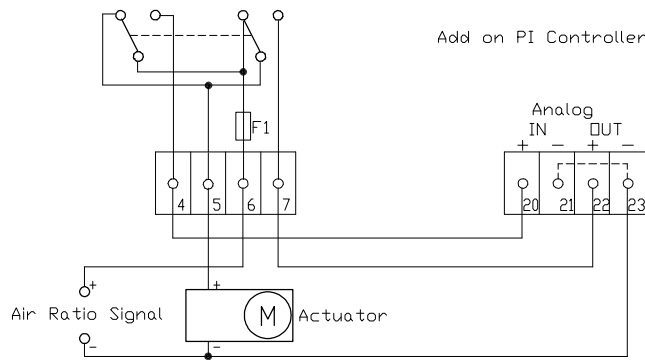
Fault / Function Relay

3 Point Control Relay



Fault / Function Relay

Add on PI Controller



All Relays are shown in the deenergised state (Fault).